



1. Features

- ▶ High Performance
- ▶ High Reliability
- ▶ GSM900+DCS1800 Dual TMA
- ▶ ROHS Compliant

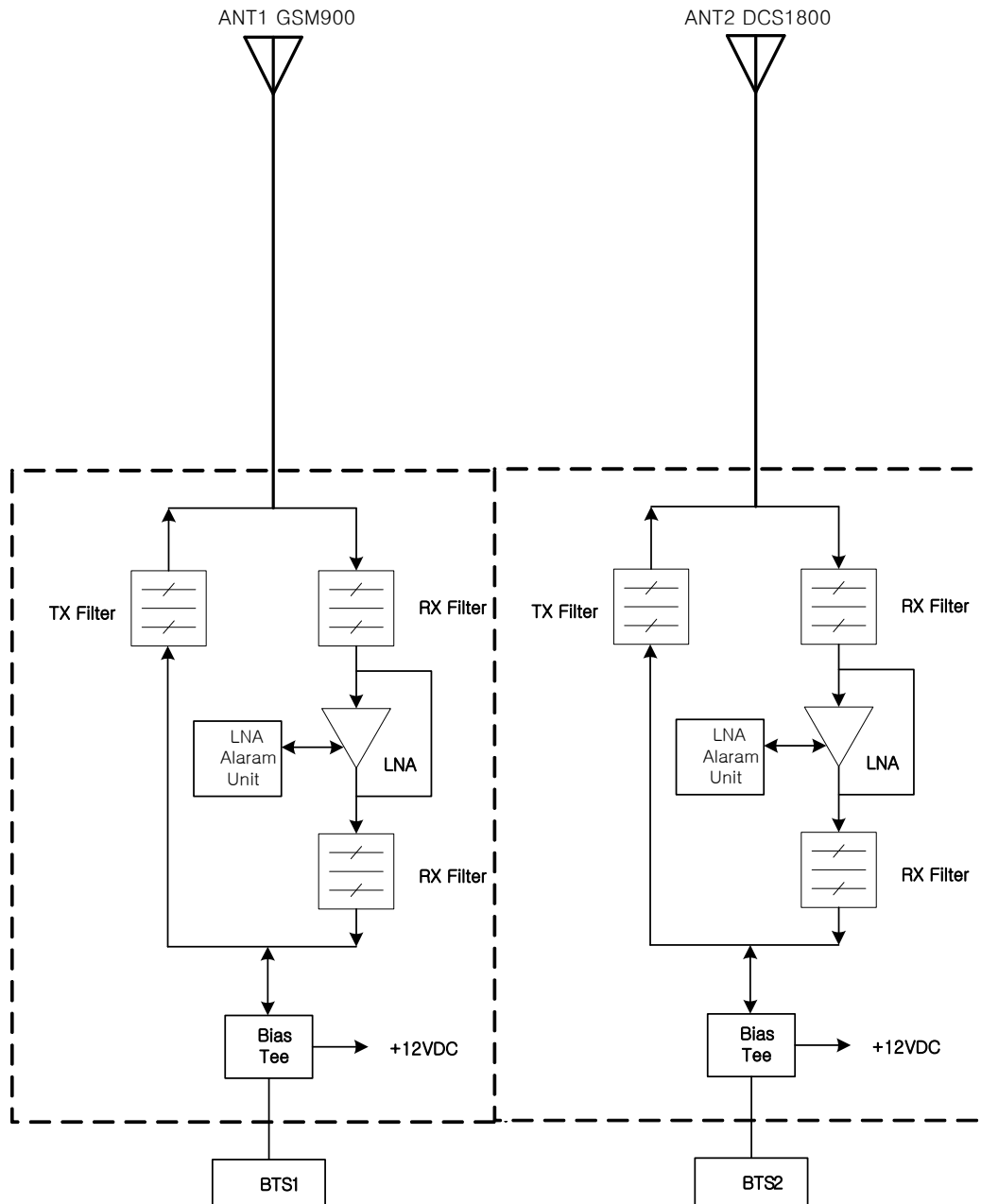
DUAL BANDG900 D1800 NA TMA

Part No: RMT-G900 D1800M01

Date: January 23, 2014

Revision No: 00

2. Block Diagram





3. Electrical Specifications

Description	Parameter	GSM900	GSM1800
Uplink	Frequency range	890 - 915 MHz	1710 - 1785 MHz
	Return Loss.	18 dB Min BTS & Antenna Port	18dB Min BTS & Antenna Port
	Gain	12 dB ± 1 dB	12 dB ± 1 dB
	Gain Flatness	1.0 dB max.	1.0 dB max.
	Noise figure, typical	1.5 dB (Typ) 1.85dB(Max)	1.6 dB (Typ) 1.85dB(Max)
	Output 3rd order Intercept Point (IP3)	+25 dBm Typ. +22 dBm min.	+25 dBm Typ. +22 dBm min.
	Insertion loss bypass mode	2.0 dB Typ	2.0 dB Typ
	Supply voltage, fed via the RF cable	12 V DC nominal @165 mA (8-31 V DC)	12 V DC nominal @165mA (8-31 V DC)
	Bypass Return Loss,	14 dB Min BTS & Antenna Port	14 dB Min BTS & Antenna Port)
Downlink	Frequency range	935 - 960MHz	1805 - 1880 MHz
	Insertion Loss	0.3 dB Typ	0.5 dB Typ
	Return Loss.	18 dB Min	18 dB Min
	Intermodulation Products in Rx band	-110dBm	-107dBm
	Average operating power, max.	+53dBm (200W)	
	Impedance	50 Ohms	

4. Environmental Data

ITEM	Specification	Remark
Operating temperature range	-40°C ~ +65°C	
IP rating	IP67	
MTBF	> 1 000 000 hours (per TMA)	
Lightning protection	IEC 1312-1, 10/350 µs pulse, 50kA	



5. Mechanical Data

ITEM	Specification	Remark
Weight	Less: 8Kg	
Dimensions	250 x 158 x 97mm	With Out Bracket
Color	Light grey, NCS 1502-R	
Housing	Aluminum	
Antenna Port	DIN (F)	
BTS Port	DIN (F)	
Mounting kit	Band Clamps	Pole Dia- 40 to 160 mm

6. Outline Drawing

