



## 1. Features

- ▶ High Performance
- ▶ High Reliability
- ▶ CDMA850 Twin TMA
- ▶ ROHS Compliant

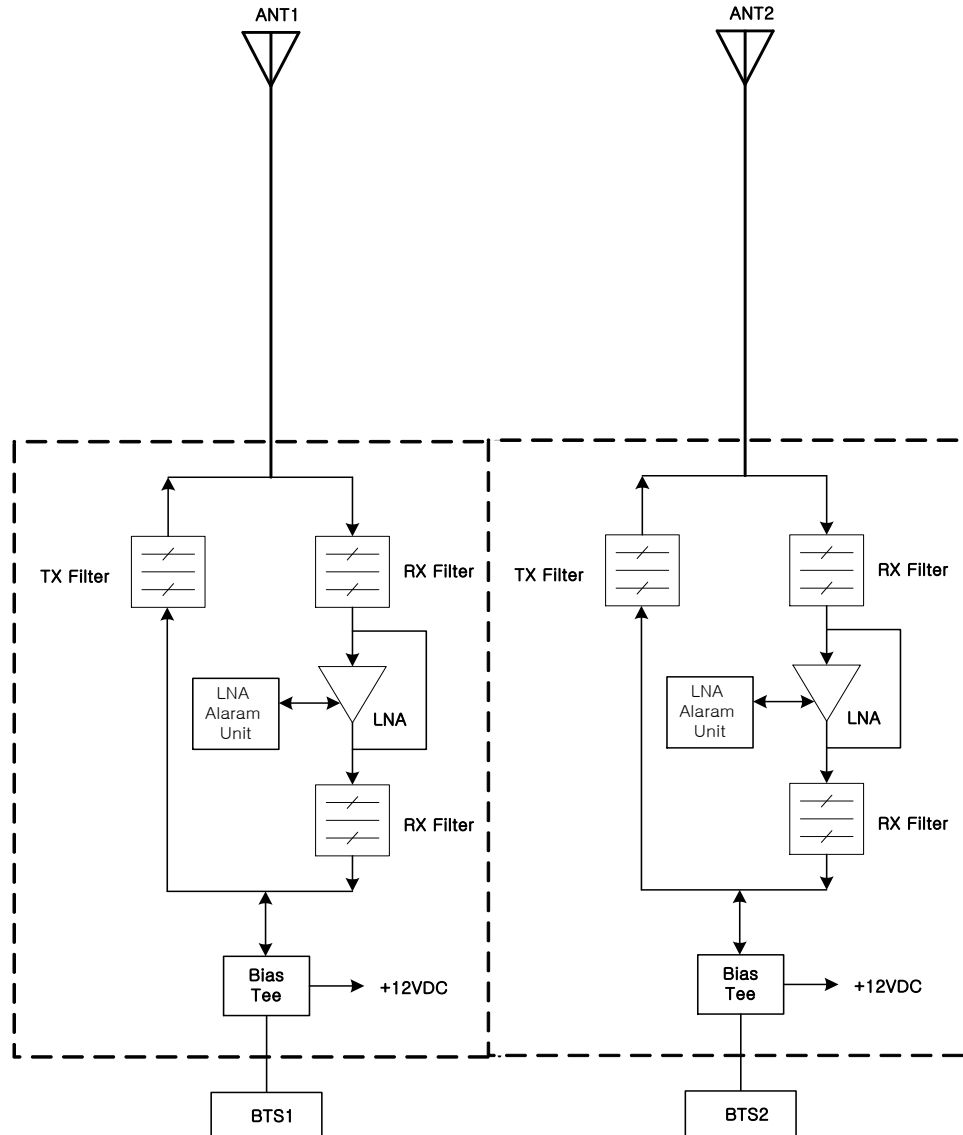
CDMA850 TWIN NA TMA

Part No: RMT\_CELL850MNA

Date: January 23, 2014

Revision No: 00

## 2. Block Diagram



### 3. Electrical Specifications

	ITEM	Specification	Remark
<b>Uplink</b>	Frequency range	824 ~ 849 MHz	
	Loss in by-pass mode	< 2.5 dB (DC OFF)	
	Return loss	> 18 dB (DC ON) > 12 dB (DC OFF)	
	Gain	12 dB ± 1 dB	
	Gain Flatness	1.0 dB max.	
	Noise figure *	1.5 dB (Typ ) 1.85dB(Max)	
	3rdorder intercept point (OIP3)	> 25dBm (typically 30dBm)	
<b>Downlink</b>	Frequency range	869 - 894 MHz	
	Insertion loss	< 0.5 dB	
	Input power (per input)	< 100 W (+50dBm) CW / < 1.6 kW (+62dBm) peak	
	Return loss	> 18 dB	
	Intermodulation Products in Rx band	< -107Bm	2Tx carriers At +43dBm

### 4. Environmental Data

ITEM	Specification	Remark
Operating temperature range	-40°C ~ +65°C	
IP rating	IP67	
MTBF	> 1 000 000 hours (per TMA)	
Lightning protection	IEC 1312-1, 10/350 µs pulse, 50kA	

### 5. Mechanical Data

ITEM	Specification	Remark
Weight	Less: 8Kg	
Dimensions	250 x 158 x 97mm	With Out Bracket
Color	Light grey, NCS 1502-R	
Housing	Aluminum	
Antenna Port	DIN (F)	
BTS Port	DIN (F)	
Mounting kit	Band Clamps	Pole Dia- 40 to 160 mm



6. Outline Drawing

