



1. Features

- ▶ High Performance
- ▶ High Reliability
- ▶ ROHS Compliant
- ▶ AISG 1.1, 2.0 Compliance

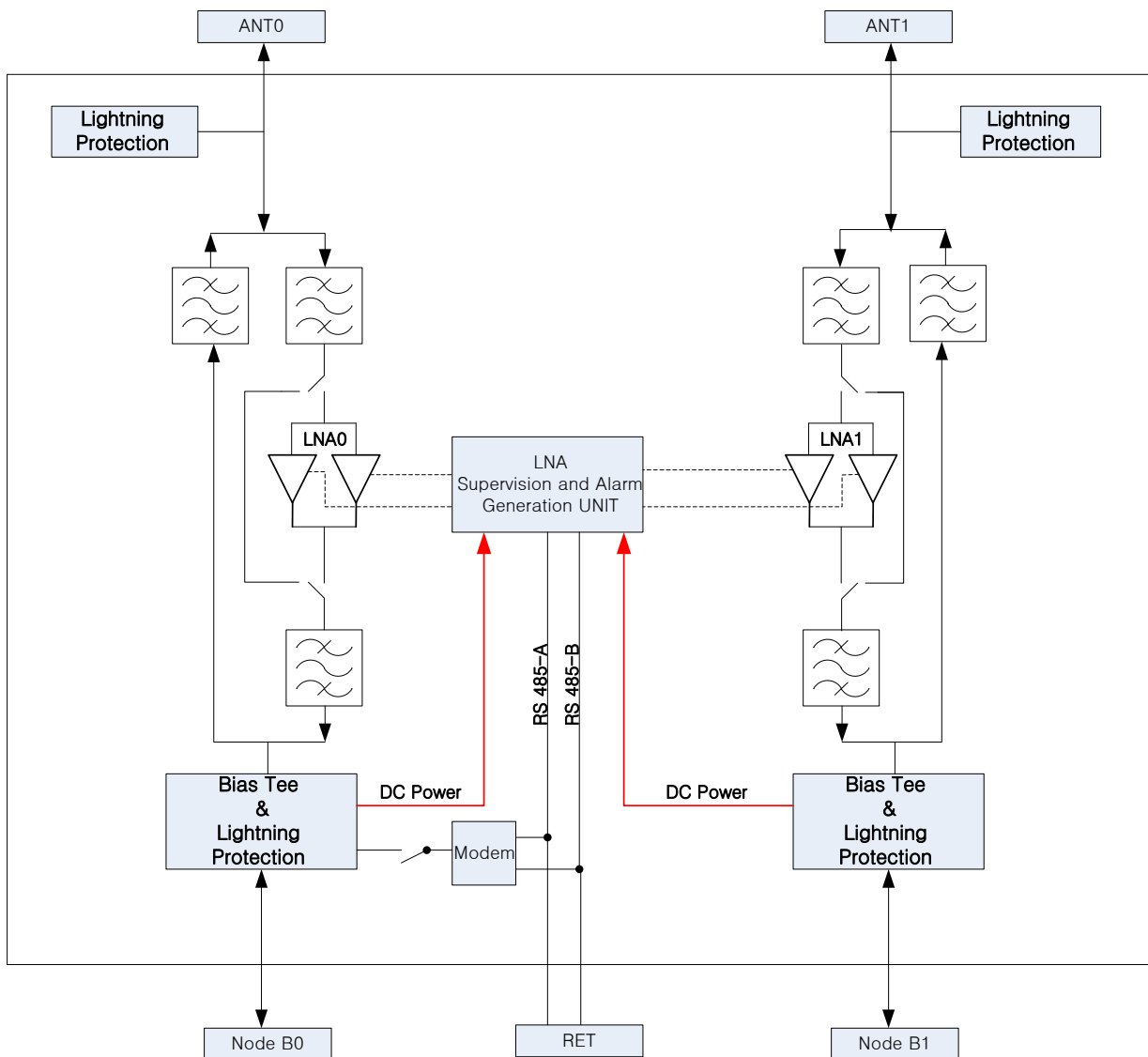
POI MODULE

Part No: RMT-CELL850MAISG2

Date: April 14, 2014

Revision No: 00

2. Block Diagram





3. Electrical Specifications

	ITEM	Specification	Remark
Uplink	Frequency range	824 - 849 MHz	
	Loss in by-pass mode	< 2.5 dB (DC OFF)	
	Return loss	> 18 dB (DC ON) > 12 dB (DC OFF)	
	Gain	24 ±1.0 dB (+22 ~ +28°C) 24 ±1.2 dB (-40 ~ +65°C)	
	Gain ripple	< ±0.3 dB	
	Noise figure *	< 1.4 dB (+22 ~ +28°C)	
	Output 1-dB compression point	> 18dBm	
	3rdorder intercept point (OIP3)	> 25dBm (typically 30dBm)	
Downlink	Frequency range	869 - 894 MHz	
	Insertion loss	< 0.3 dB (typically 0.15 dB)	
	Input power (per input)	< 100 W (+50dBm) CW / < 1.6 kW (+62dBm) peak	
	Intermodulation Products in Rx band	< -110dBm	2Tx carriers At +43dBm
	Return loss	> 18 dB	

* Noise figure NF = (NF1920 MHz + 2 x NF1950 MHz + NF1980 MHz)/4

* Additional variation at -40 ... +60 °C: ΔNF < 0.4 dB

4. Environmental Specifications

ITEM	Specification	Remark
Operating temperature range	-40°C ~ +65°C	
IP rating	IP67	
MTBF	> 1 000,000 hours (per TMA)	
EMC	ETS 300 342-3	



5. DC and Alarm Specifications

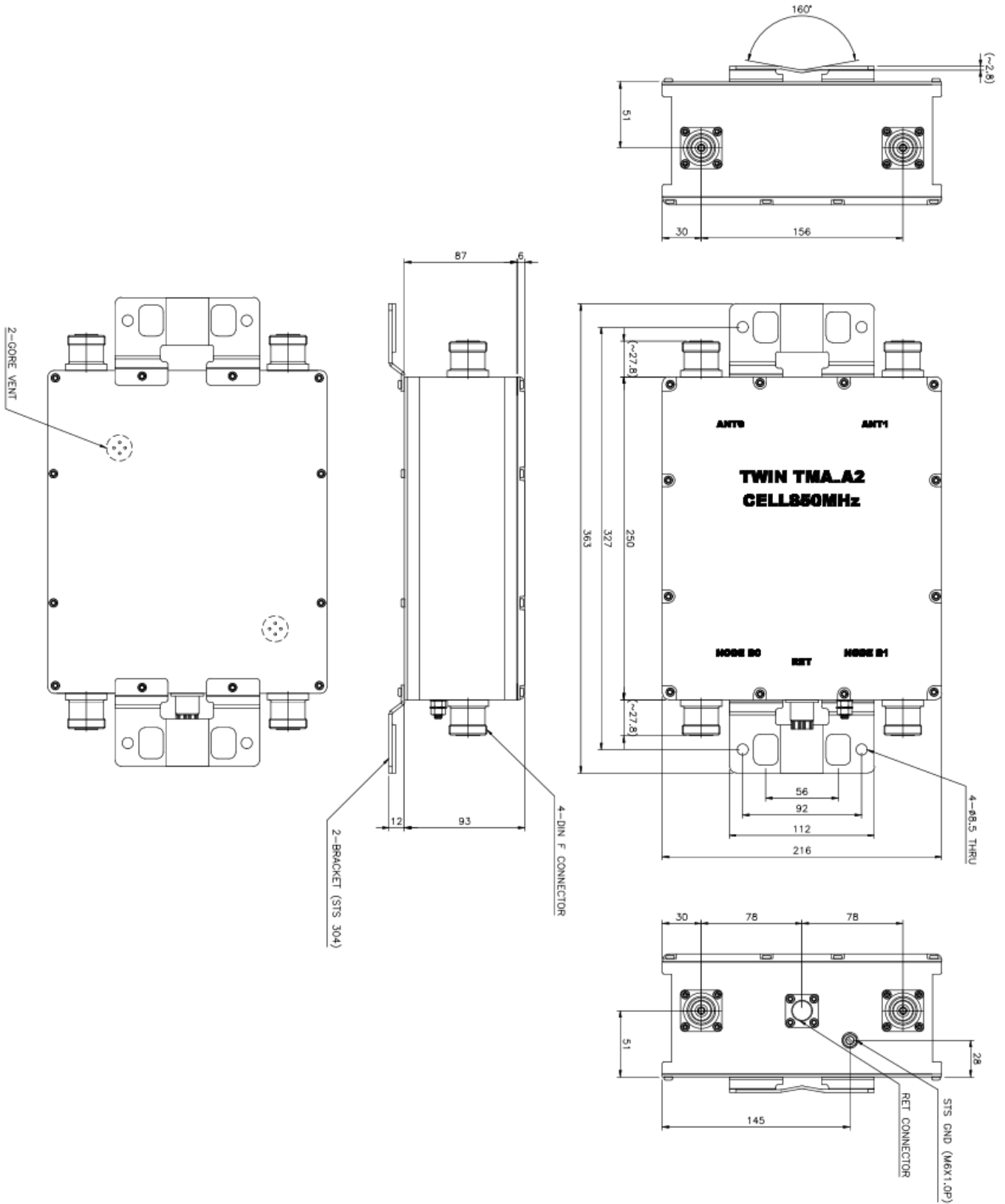
ITEM	Specification	Remark
DC supply	9 – 30 V	
Operating current per TMA Without RET	Nom. 210mA at 9 V Nom. 70mA at 30 V	
Alarm management	AISG 2.0	

6. Mechanical Specifications

ITEM	Specification	Remark
Material	Aluminum	
Connectors	RF	7-16 female (long neck)
	AISG	8-pin female, IEC 60130-9 Pin 3: RS485B, pin 5: RS485A, Pin 6: 9 – 30 V DC, pin 7: DC return, Other pins: not connected
Mounting	Wall mounting Mast mounting	
Dimensions (L x W x H)	216.0 X 250.0 X 93.0mm Without connectors, without mounting brackets)	



7. Out Drawing





RF MORECOM

RFMORECOM // RFMWIRELESS

#102-704, SK Ventium, Bldg, 522, Dangjung-Dong, Gunpo-Si, Kyunggi-Do, Korea. PIN: 435-776
www.rfmorecom.com // www.rfmwireless.com